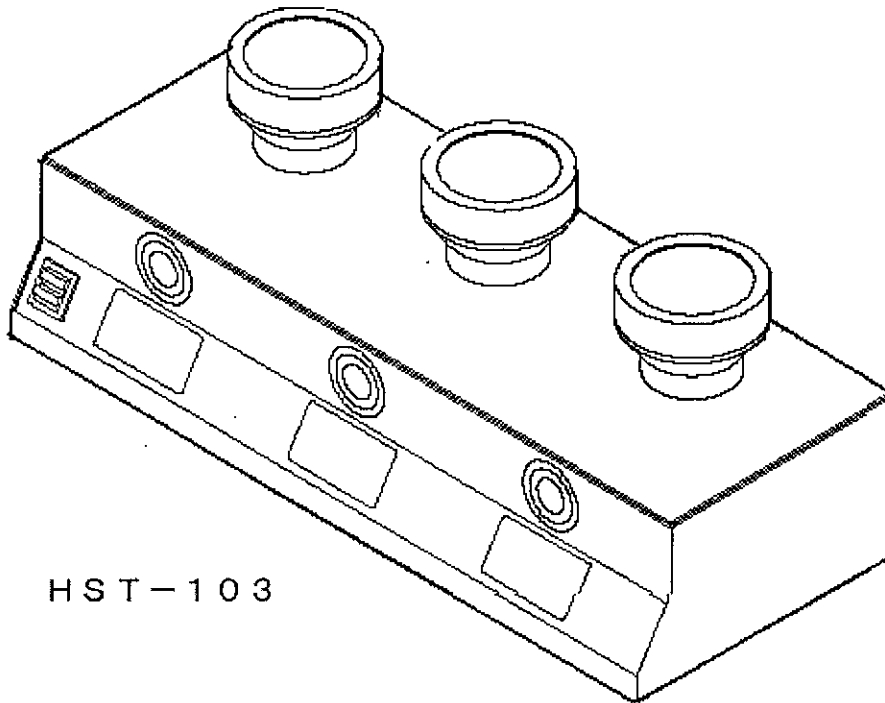


BONMAC®

INSTRUCTION MANUALS (user instruction)

HIKARI SIPHON BAR SERIES

Model Codes : 3 Lamp outlets HST - 103EU



We appreciate you purchasing HIKARI SIPHON BAR.

Before using HIKARI SIPHON BAR, please read the manuals and learn the proper use of the machine.

The manual should be kept in a place you can reference when necessary.

Contents

<u>Safety instructions</u>	<u>1-2</u>
<u>Specifications</u>	<u>3</u>
<u>Name of parts</u>	<u>3</u>
<u>How to use</u>	<u>4-5</u>
<u>Maintenance</u>	<u>6</u>
<u>Distinguish the failure or defect</u>	<u>6</u>
<u>After sales service</u>	<u>7</u>

Safety instructions (Please follow them for safety.)

■ Before using the machine, please read the “Safety Instructions” in order to operate the machine properly.

■ The safety instructions mentioned below are pointed out for your safety so they must be followed.

⚠ **WARNING:** This symbol indicates the possibility for operator to be seriously or fatally injured caused by incorrect use.

⚠ **CAUTION:** This symbol indicates possibilities for injuries and damage to the machine by incorrect use.

Examples of description marks

⊘ **Prohibition:** This symbol prohibits any action.

➡ **Direction:** This symbol informs the directions which operator must follow.

■ After reading this manual, please keep it for future reference.

⚠ WARNING

⊘ **Prohibition** – Please do not use in wet areas. Please do not allow the machine to get wet. It may cause a short circuit.

⊘ **Prohibition** – Please do not use the machine in areas where the temperature is more than 40°C/ 104° F . It may cause an electric shock or fire.

⊘ **Prohibition** – Please do not use it at the place such as follows.

- The place where gets direct sunlight.
- A place an electrical injury (a voltage change, noise) occurs, and to influence.
- The place where a device producing a strong magnetic field is near.
- The place where the humidity suddenly changes.
- The place that is near to a heat source.
- A place with much mine dust.
- An insanitary place.
- A place with much high temperature, high humidity / vibration.
- The place that condenses dew.
- The place that is exposed to medicinal solution, smoke, volatile gas, corrosive g

⊘ **Prohibition** – Please do not leave combustible materials such as newspapers, paper bags, and curtains next to the machine. It may cause a fire.

⚠ WARNING

⊘ *Prohibition* – Please do not disassemble the machine. This may cause an electric shock, short circuit, a fire, or a severe injury to the operator.

For concerns about machine trouble, please contact with your sales agent.

⊘ *Prohibition* – When power supply cord is damaged, please never change it by yourself. Please contact with your sales agent.

⊘ *Prohibition* – Please do not touch the lamp cover of the apparatus after use for approximately five minutes. I may burn myself.

⓪ *Direction* – Please make sure that the plug connectors are clean. Otherwise, dust and foreign matter may cause a fire.

⚠ CAUTION

⓪ *Direction* – Please hold the plug itself when removing from the outlet. Please do not hold / pull the wire. It may cause an electric shock, a short circuit, or a fire.

⊘ *Prohibition* – Please do not use when the plug is damaged, or the outlet is loose. It may cause an electrical shock, a short circuit, or a fire.

⓪ *Direction* – Please operate control panels with your fingertips.

⊘ *Prohibition* – Please do not use a multiple outlet extension plug with other peripherals. Otherwise it may generate excessive heat resulting into a fire.

⊘ *Prohibition* – Please do not damage / break / modify / bend by force / stretch / twist / bundle an electric wire. It may cause an electric shock, a short circuit, or a fire.

⓪ *Direction* – Please do not look at halogen light directly. Otherwise, it may cause eye injuries.

⊘ *Prohibition* – Please do not touch the lamp body when it is lit, or just after turned off. It may burn.

⊘ *Prohibition* – Please do not connect the power with other than AC230V. It may cause an electrical shock, or a fire

⓪ *Direction* – Please make sure that the power is connected through an outlet which is wired with 230V / above 10A.

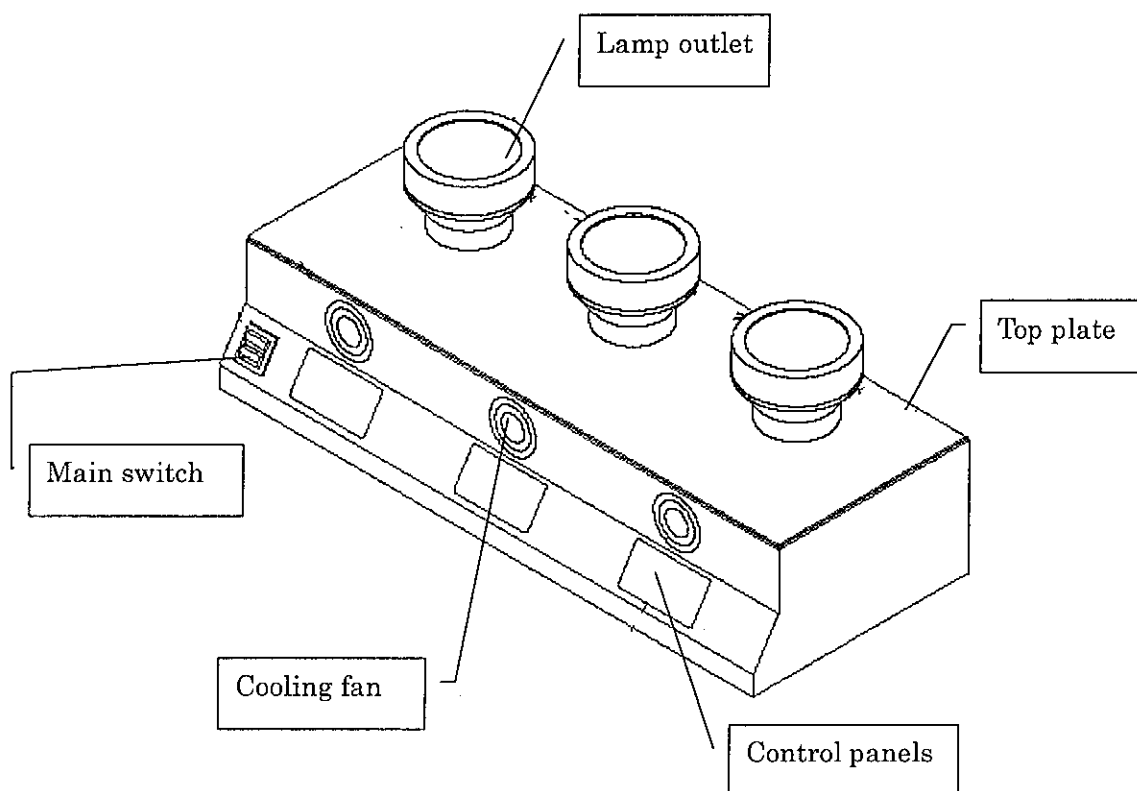
⓪ *Direction* – When discard equipment, please apply to a specialized collection supplier or the agency according to the law of each country.

⓪ *Direction* – Please turn off power switch before things such as cleaning or care, and please pull the power supply plug out of an outlet.

□ Specifications

Model	HIKARI SIPHON 3 Lamp outlets
Model Code	HST-103EU
Voltage	AC230V
Power consumption	1050W (8.9A)
Heater	Halogen Spot Heater
Diameters	W650×D260×H240(mm)
Weight	Approx 12.4kg
Length of power code	2m

□ Name of parts

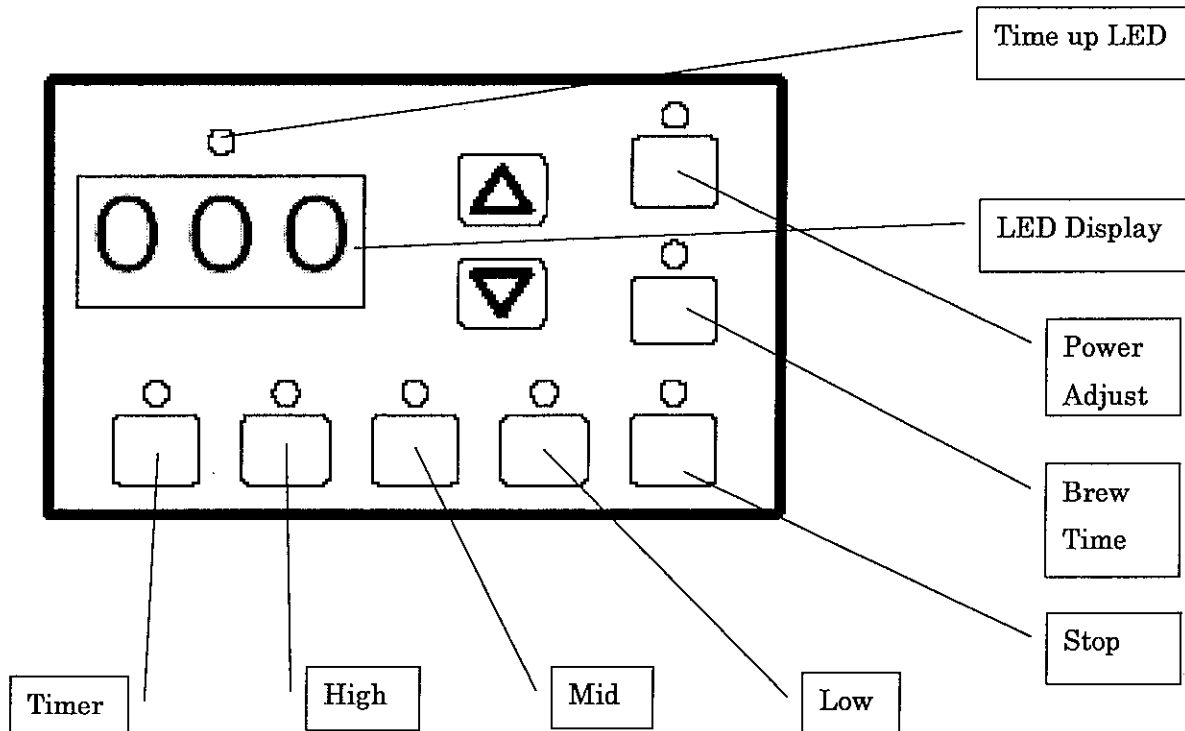


□ How to use

■ Preparation

Please make sure that the plug is connected properly to the outlet.

■ Control Panels



- **Timer** – To start timing, a timer clock indicator will start counting. The output power is not affected from this panel.
- **High** – When this button is pushed, the output power will run at 100%. 8 minutes at the longest.
- **Mid(Medium)** – This panel is used to start brewing. Also used for setting output power of brewing, and the brewing time.
- **Low**– This panel is to keep the coffee warm.
- **Brew**– This panel is used for setting the brewing time.
- **Power Ajust(Power Adjust)**– This panel is used to change the output power of brewing / heat-retention used for increasing.
- This panel is used for decreasing.
- This panel is used when configuring the settings numerically.
- **Stop** –When brewing is completed.
- **Time up LED** – This LED indicates when the brewing is finished.

■ Settings – output power of brewing / heat-retention

1. Push the “Power Adjust” panel.
2. Press “Mid” or “Low” for configurations.
3. LED display shows current output power. Push Δ / ∇ panels to adjust the output power.
4. Push “Stop” panel to complete the settings.

(The factory settings for the output power is set at 70%, for heat-retention it is set at 50%)

■ Setting – brewing time

1. Push “Brew Time” button.
2. Push “Low” button and the LED display will indicate brewing time. Push Δ / ∇ buttons to adjust the setting time.
3. Push “Stop” button to complete the setting.

(The factory settings are set at 100.)

■ Brewing

*Please confirm the output power and brewing time before using.

1. Put the flask (after pouring a moderate amount of warm water, and attaching with stand) on the Lamp body, and push the “High” panel.
2. When the water is boiling, insert the upper bowl slightly into the lower bowl. (upper bowl must be set with filter and a certain amount of ground coffee.)
3. When the water is boiled, insert the upper bowl completely into the flask. When hot water removed from the flask to the upper bowl, push the “Mid” panel.
4. After pushing the “Mid” panel, it will be heated during the brewing. The output power of brewing should be set around 70 – 80 % otherwise the temperature of brewing will be too high.
5. Stir hot water and coffee powders with a bamboo spatula on the top of the upper bowl.
6. When the brewing is finished, the Time up LED turns on in order to inform that the brewing is finished.
7. When coffee flows down to the flask completely, remove the upper bowl and pour coffee to a cup.

*If the brewing time is set between 1 to 99 seconds, the Time up LED counts up to “100” then shows “100” continuously until it automatically turns off at 10 seconds after the finishing.

If the brewing time is set between 100 to 480 seconds, the Time up LED counts until the brewing is finished. The LED turns on continuously with showing the number of finishing time until the next brewing starts, or the "Stop" panel is pushed.

Maintenance

Please keep the machine clean to maintain its performance and to prevent malfunction / deterioration.

Caution in maintenance

- Please keep the machine clean at all times.
- Please do not operate the machine if it seems to be broken or damaged.
- Please do not repair by yourself. For any concerns about machine trouble, please contact your sales agent.
- Please pull the plug from outlet and wait until the machine cools down before maintenance.
- Please be careful during maintenance.

Maintenance

- Please use a damp towel for wiping the body of the machine.

Distinguish the failure or defect / how to deal with.

Symptoms

① it will not turn on

④ The machine is abnormally hot

② Water in the flask does not warm up

⑤ The safety breaker went down

③ Water in the flask warms up, but does not boil

⑥ The wire is abnormally hot

Cause	①	②	③	④	⑤	⑥	How do deal with..
Outlet is not properly connected	①	②					Check and connect the outlet
Lack of an electric power	①		③				Check your main power grid.
Cooling fan is not responding properly.				④			Contact with your sales agent.
Wirework was not done properly					⑤	⑥	Ask electrician for re-construction in correct way.
Capacity of code is not enough					⑤		Contact your electrician
Halogen spot heater is down		②					Contact your sales agent.
Main circuit board malfunction	①	②					Contact your sales agent.
Control panel failure	①	②					Contact your sales agent.
Improper out power			③				See page 5 and configure the output power

After-sales service

■ Before requesting the Services (inspection or repair)

- Please check with “troubleshooting” on page 6 before requesting Service. If you still have difficulty in operating the machine please contact your sales agent.
- When you request Service, please inform your sales agent the below information.
- Name of machine / the product number, serial code (which is mentioned on a logo)
 1. Name / home address/ directions / phone number
 2. Condition of the machine
 3. Date of purchase

■ Warranty

- The Warranty is valid only for the machine failure caused by “correct way of use” under the “responsibility for the machine”. It is offered a “repairs free of charge through a year after the machine purchased”. However, there will be a charge even within a year after the machine is purchased if
 1. If the machine used in a incorrect way
 2. If the machine broken / damaged caused by moving or logistics.
 3. If the machine broken caused by modifying.
 4. If the machine broken / damaged caused by natural calamities / force majeure.
*In those cases we offer the repair to maintain its performance. It will be charged.

■ Spare parts

- Spare parts mentioned below are charged even within a year after the machine purchased.
Halogen spot heater

■ Minimum term of maintenance spare parts.

- After discontinue of manufacture, the minimum term of spare parts will be available after five years.

■ Contacts

- For comments and questions with using this HIKARI SIPHON BAR, please contact the shop where the machine was purchased.

■ Warranty Memo

Model Code	H S T - 1 0 3 E U		
Warranty Term	Though a year after the date of purchase. However, the consumptive material is excluded.		
Date of Purchase	Year	Month	Date
Customer info	Address Name Phone		
Sales agent	Address Name Phone		Contact

BONMAC®
LUCKY i CREMAS CO., LTD.